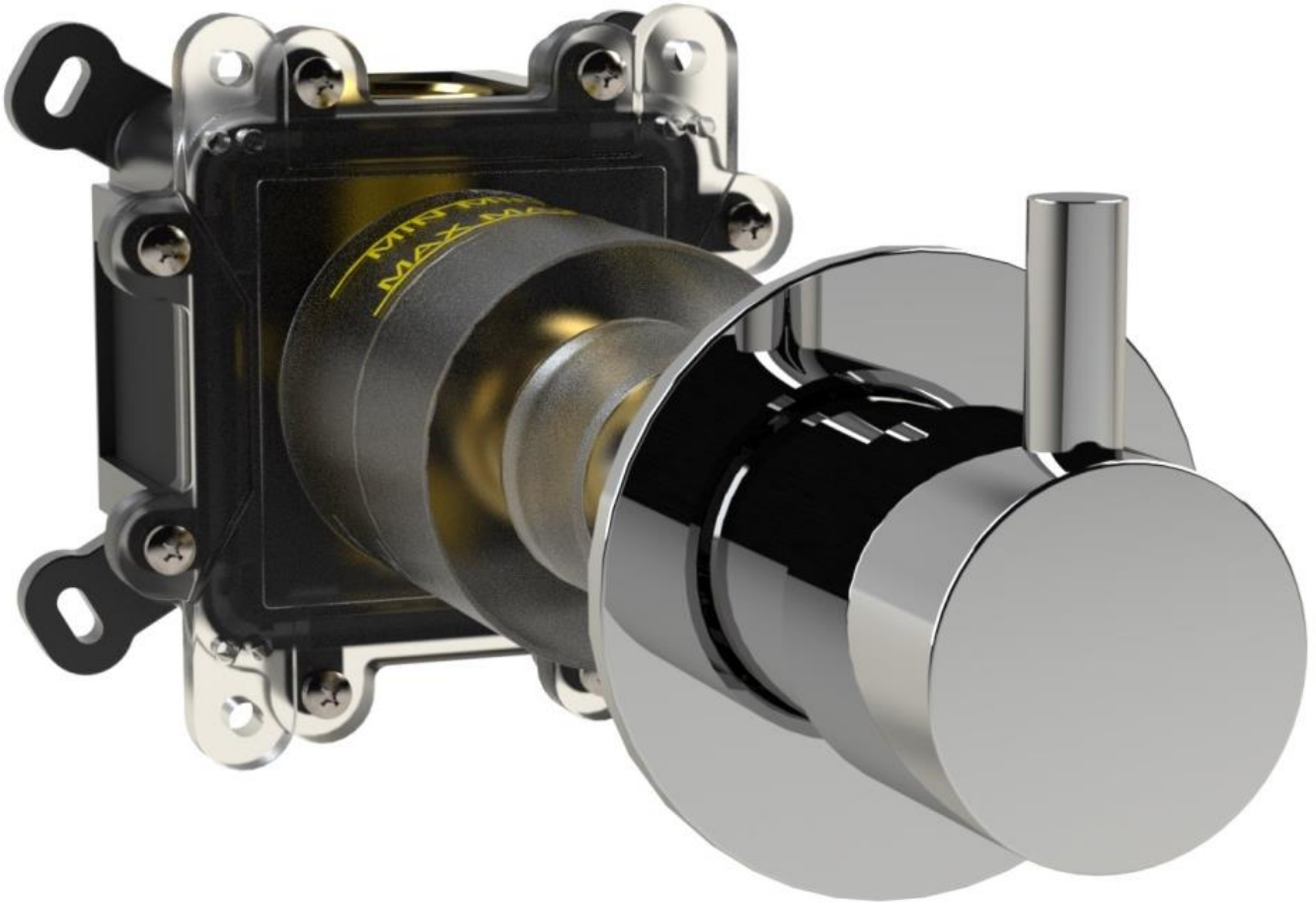


# FLOW CONTROL WITH BOX



044.001.01.10J.70C.BOX

## GENERAL FEATURES

This mixer is suitable for all water heating systems provided it is installed correctly by a competent and qualified installer.

### **OPERATING SPECIFICATIONS**

#### Hot water supply temperature:

Maximum: 85°C

Minimum: 5°C

#### **Working pressures**

Maximum: 10 bar

Advisable: 3 bar

Minimum: 0,1 bar

When the supply pressure is higher than 5 bar a pressure reducing valve should be fitted before the shower mixer.

### **TECHNICAL DATA**

The mixer is supplied with a cover plate for the installation at a depth from 70 mm to 90.5 mm. The temperature control knob is pre-set from the manufacturer at 38°C.

The mixer ports are supplied with a female thread G  $\frac{3}{4}$ ", NPT  $\frac{3}{4}$ ".

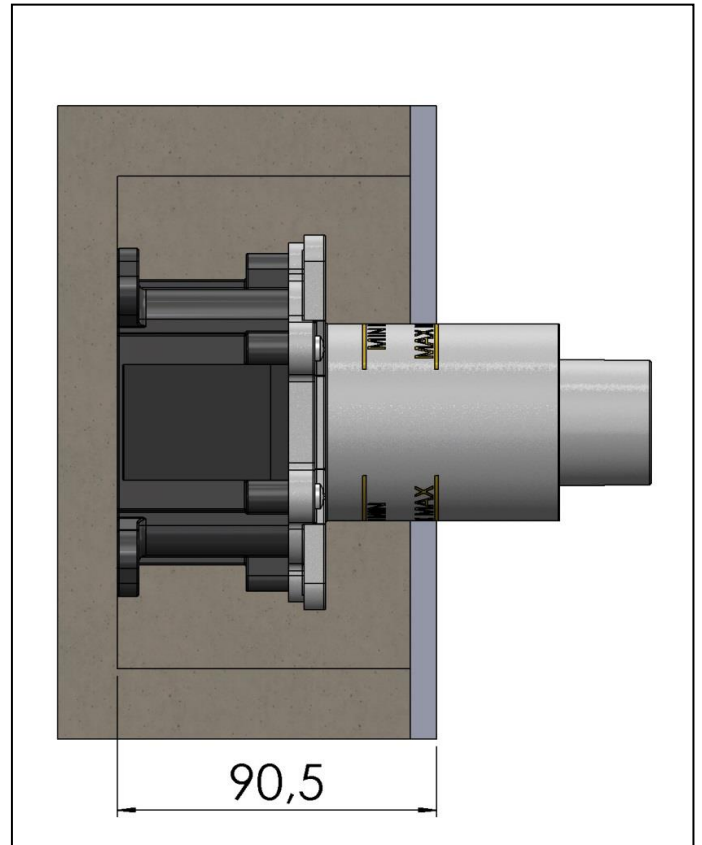
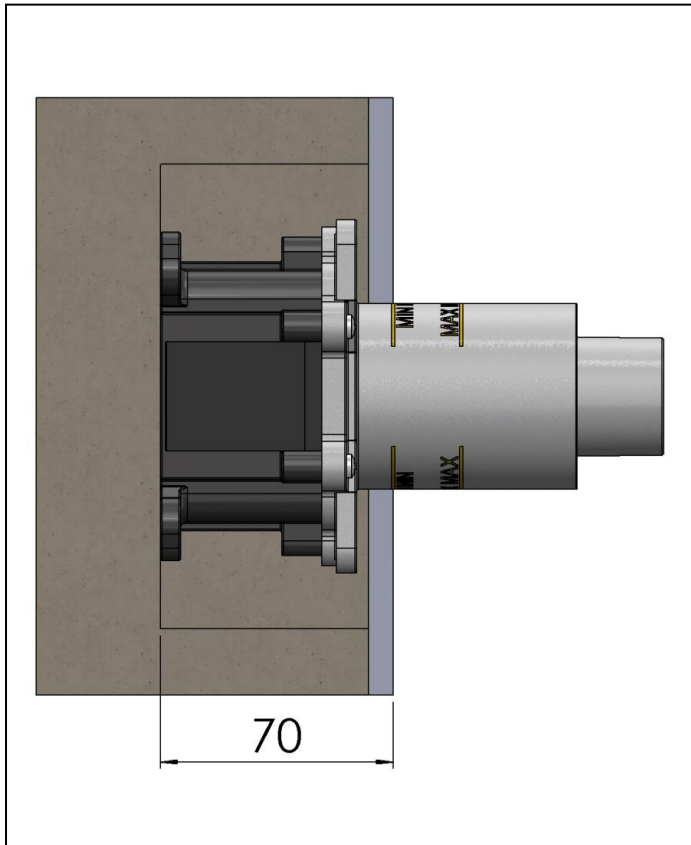
The thermostatic mixer controls and regulates only the temperature of the mixed water. To close and adjust the water flow rate add a flow control between the mixture and the outlet.

### **PLUMBING RECOMMENDATIONS**

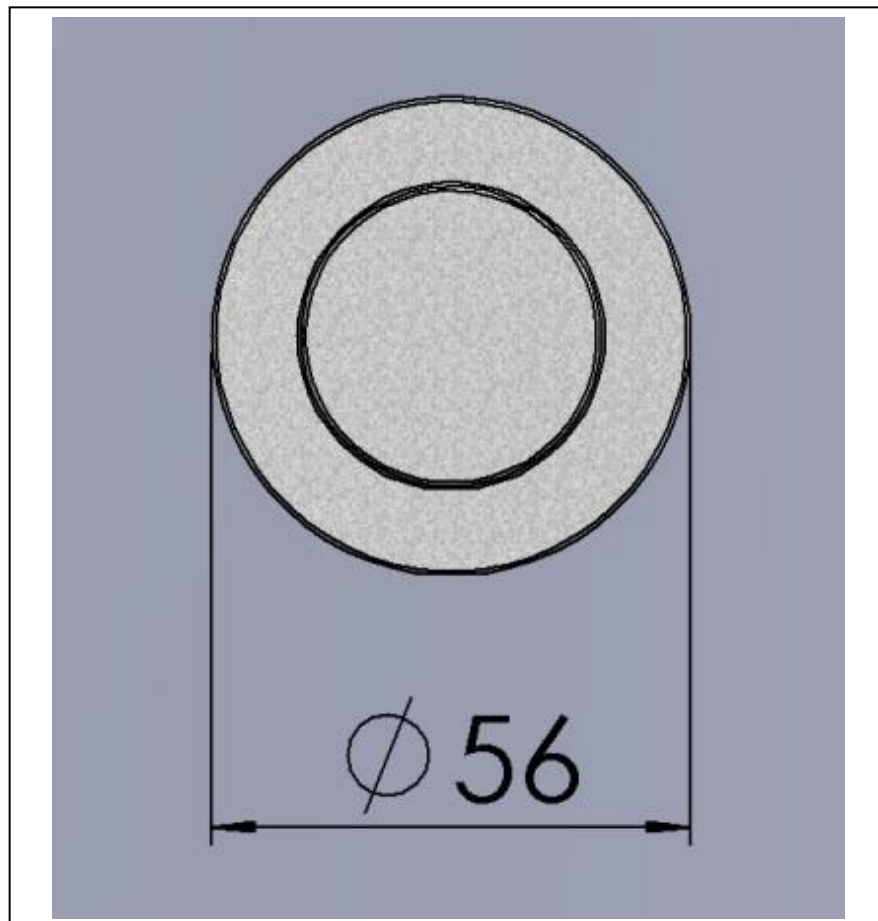
- An independent hot and cold water supply is required for the shower system.
- The recommended pipe work should be 22mm minimum for low pressure system.
- If more than one shower mixer is installed, the minimum feed should be 28mm. (ensure adequate supply of both hot and cold water can be maintained)
- **READ CAREFULLY THIS MANUAL BEFORE USING YOUR MIXER AND KEEP IT AT HAND FOR FUTURE REQUIREMENTS**

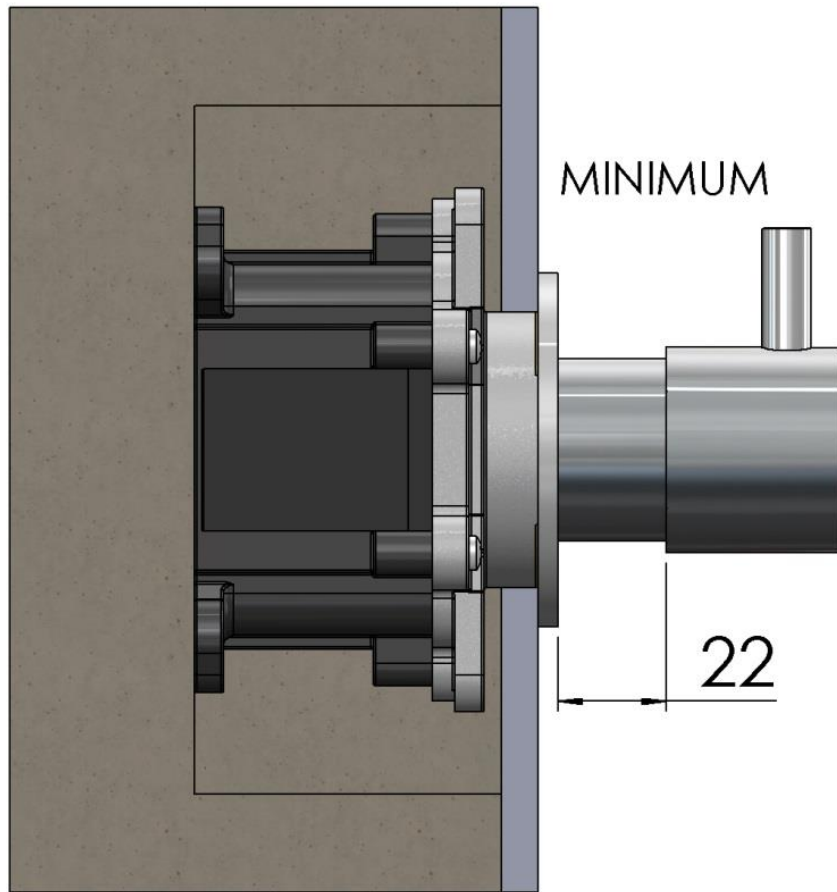
## INSTALLATION

Consider the thickness of the final coating (tiles, marble etc.)

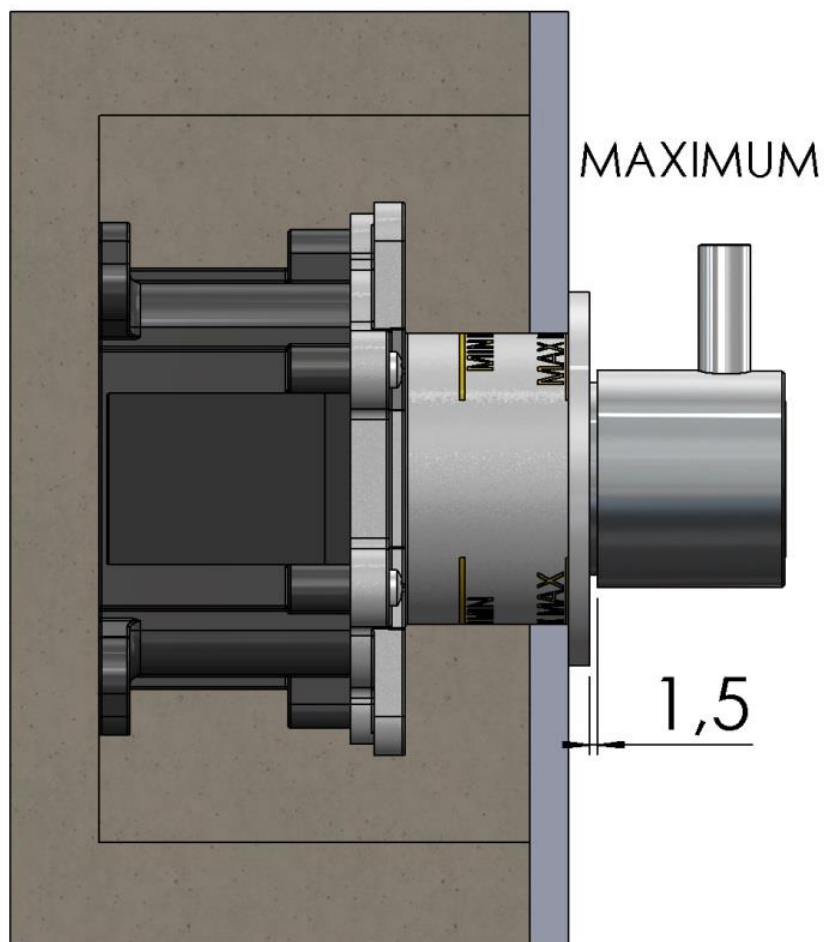


Keep a 56 mm hole in the wall to cut the protection and for the future maintenance of the product.



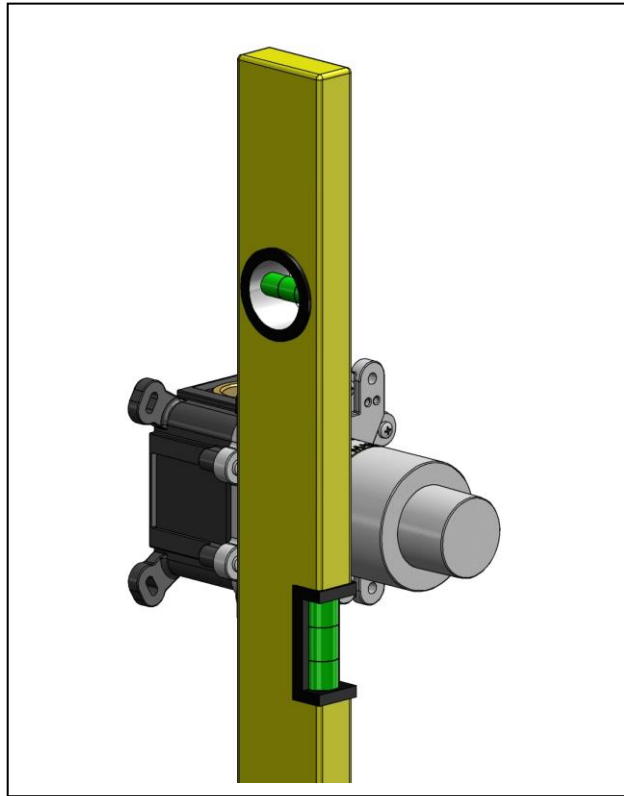


The plate slides from a minimum of 22 mm to a maximum of 1.5 mm.

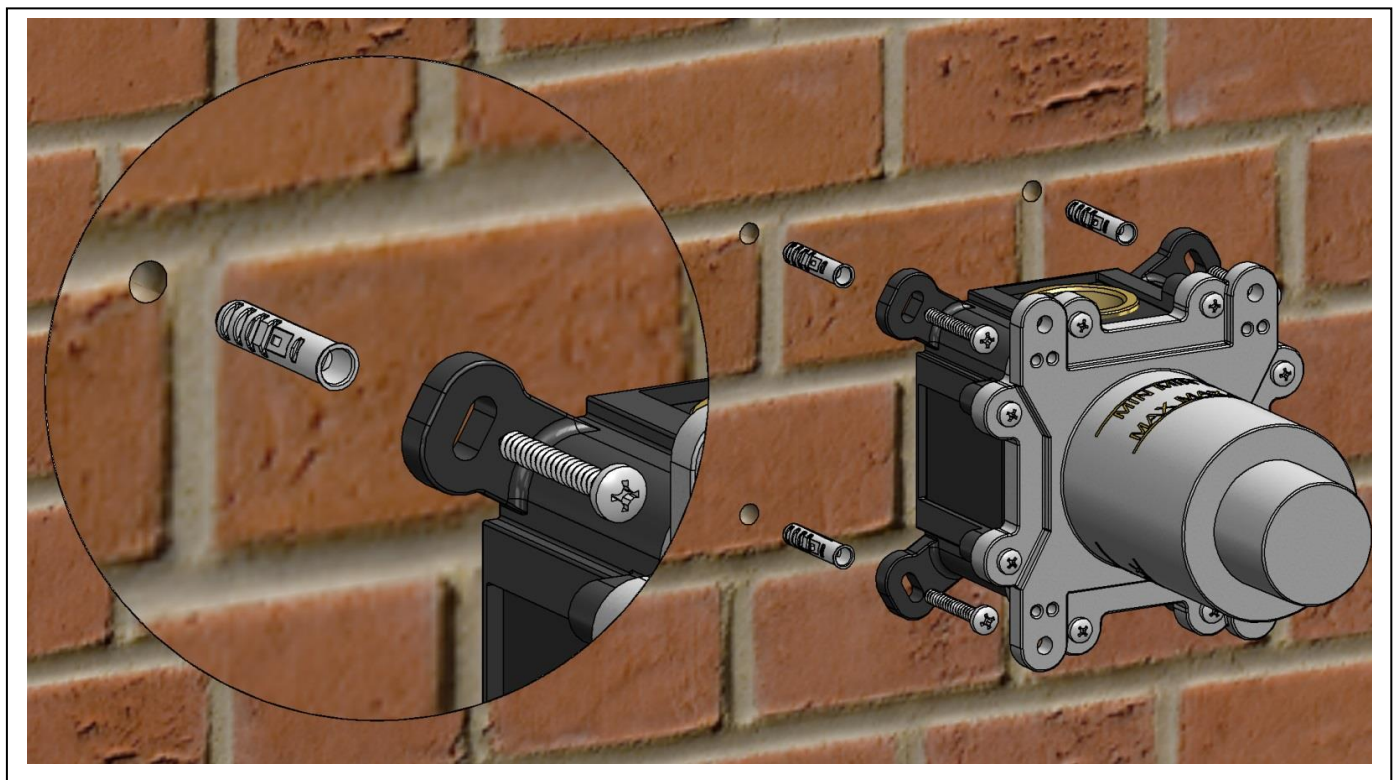


Before fixing the box, screw into the mixer ports the correct fittings for the type of tube chosen for your hydraulic system.  
**ATTENTION** Fittings not supplied.

Use a level to find the correct position

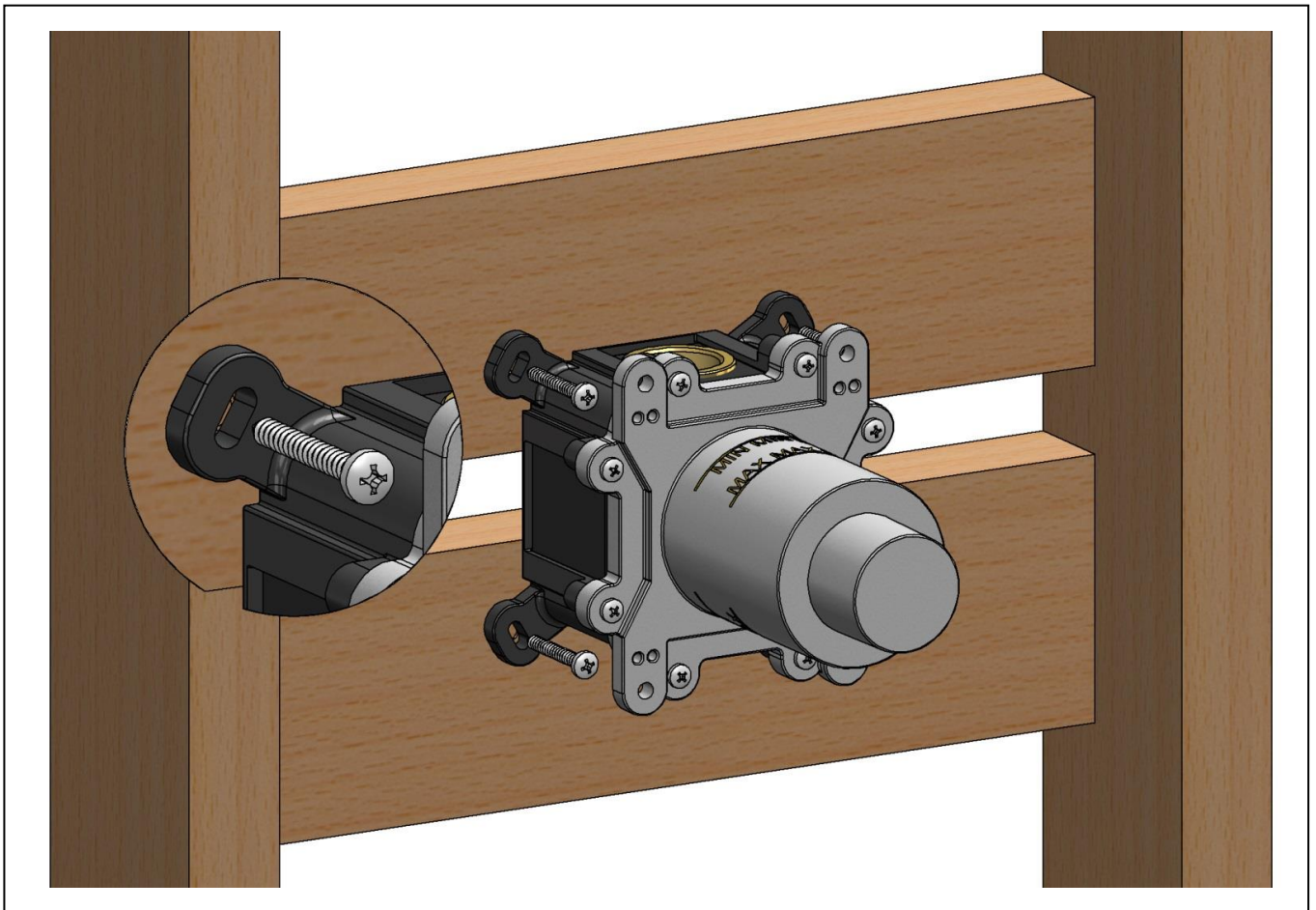


For the in-wall installation, drill the wall and use the plugs and screws to fix the box to the wall

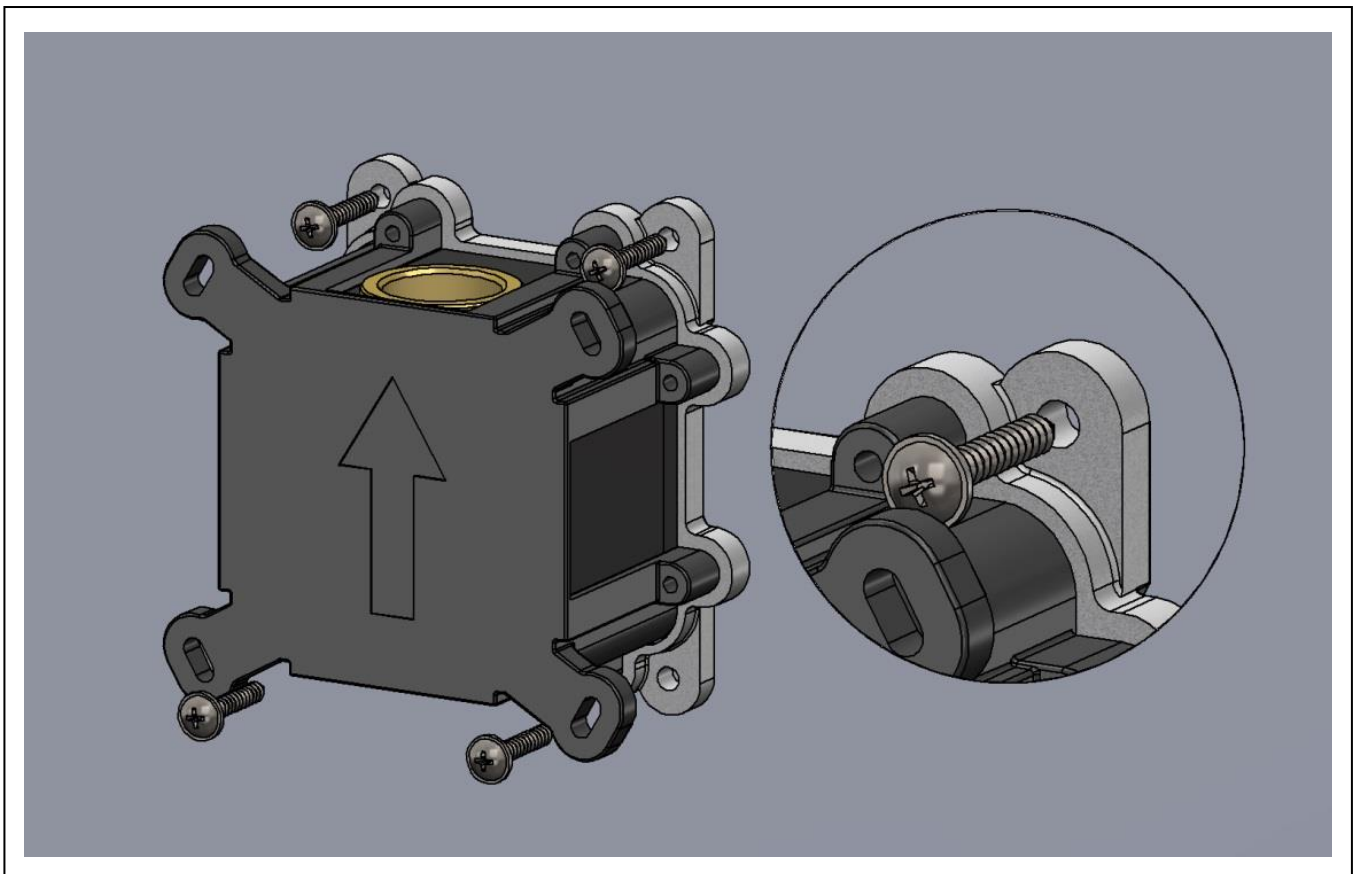




For the frame installation use the screws to fix the box to the woods.



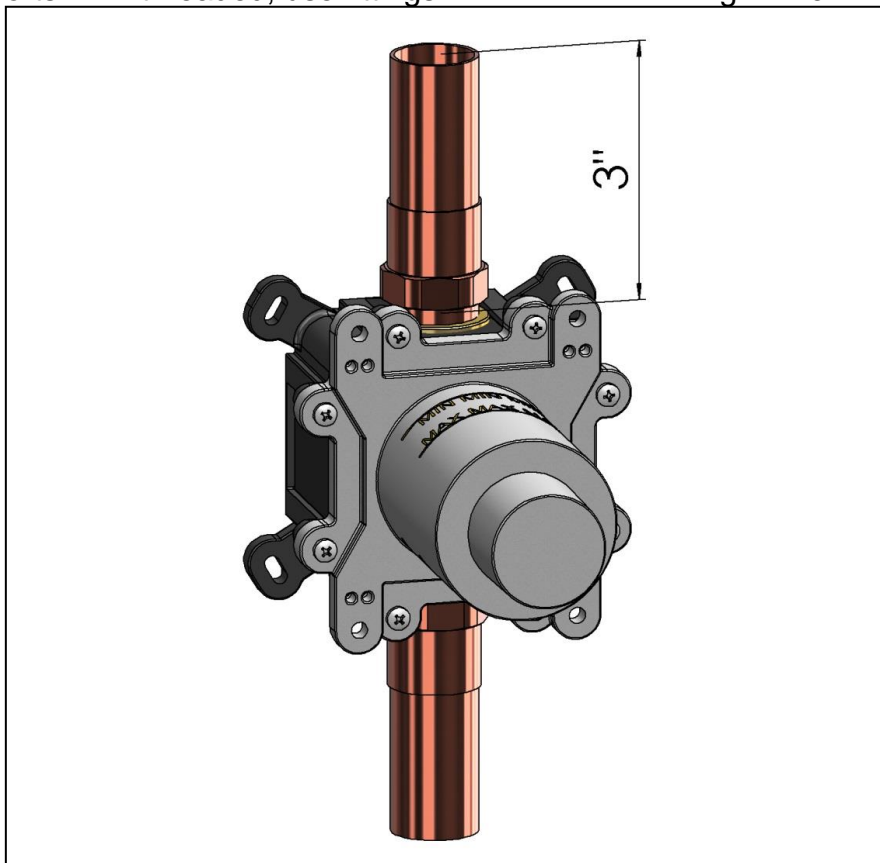
For the rear installation use the screw to fix the box to the drywall



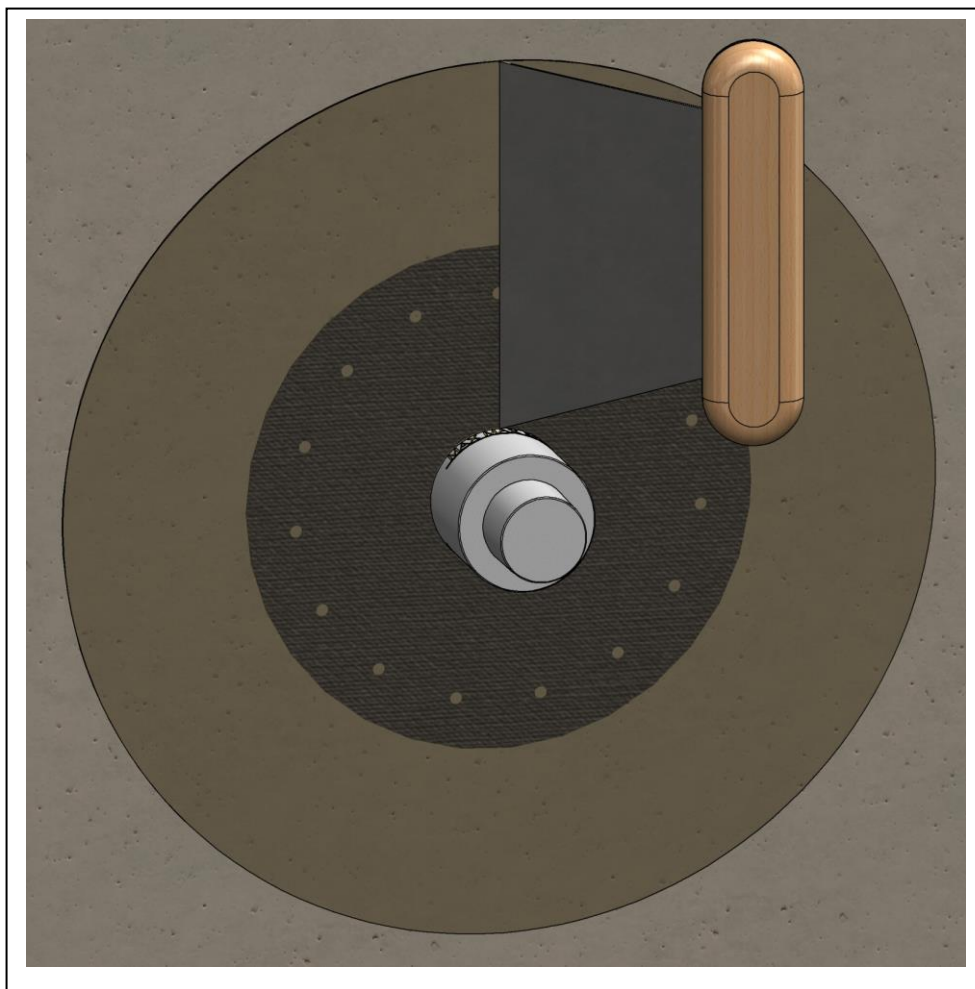
The box is made of plastic material

**ATTENTION Never expose box to open flame or excessive heat.**

In case of mixer ports NPT threaded, use fittings with a minimum length of 3".

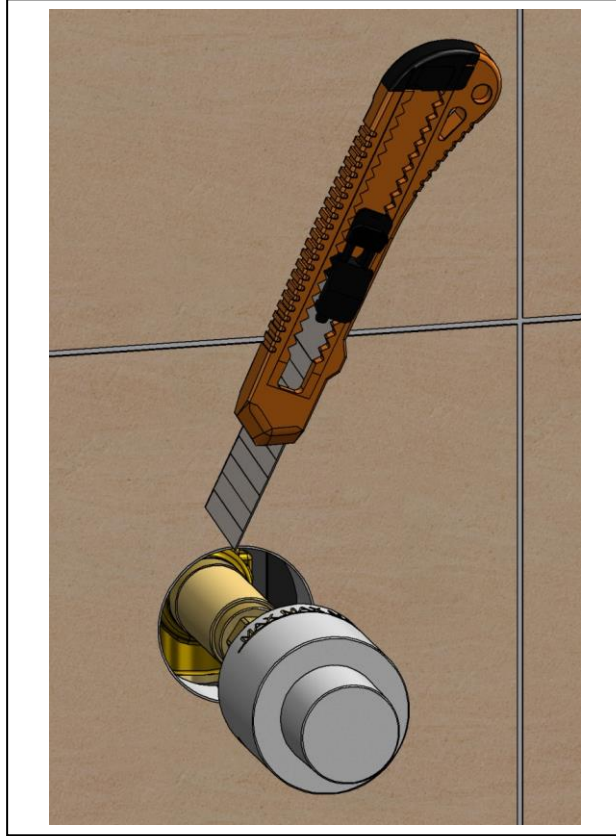


Before tiling attach the seal to the wall with glue.

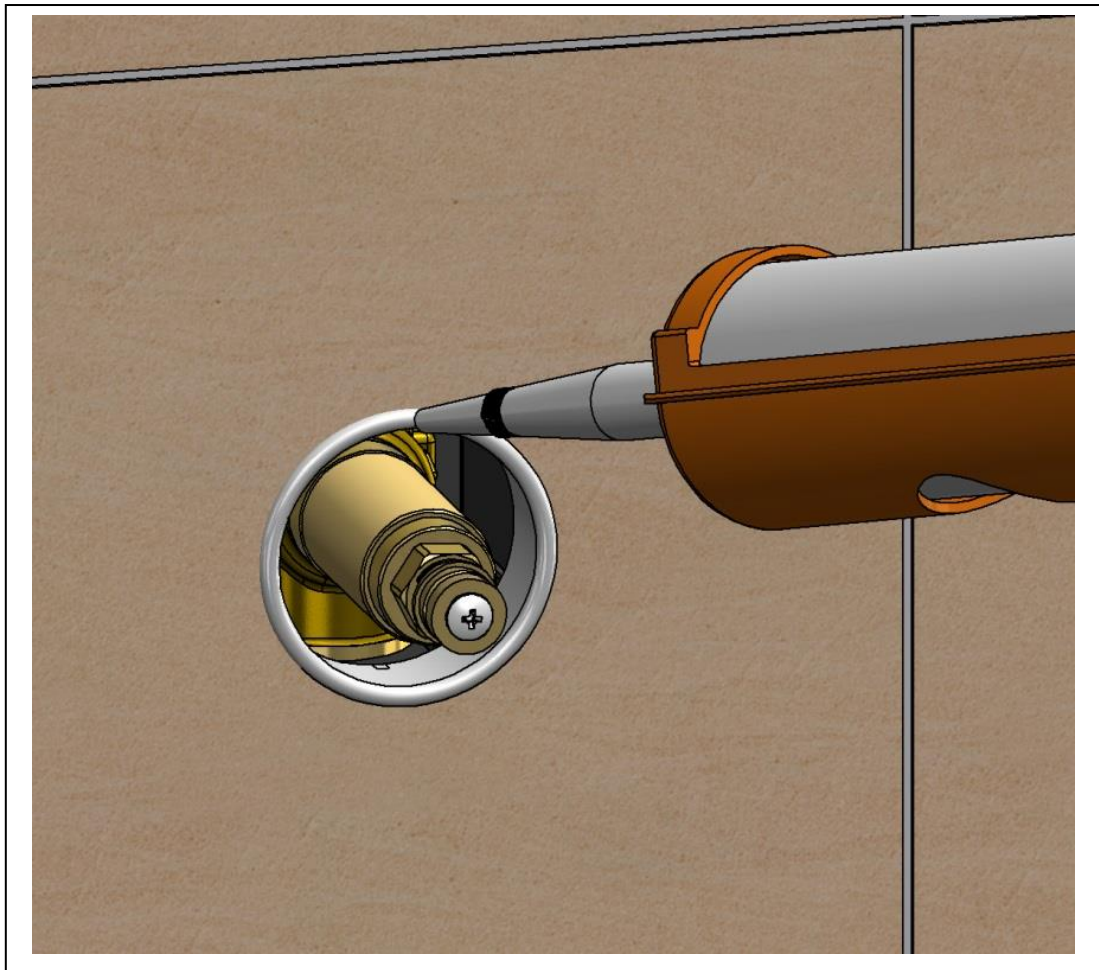


## TRIM FIXING

Once the mixer is installed in the wall, cut along the finished wall and remove the plastic guard.



Put the silicone between the cover plate and the wall.





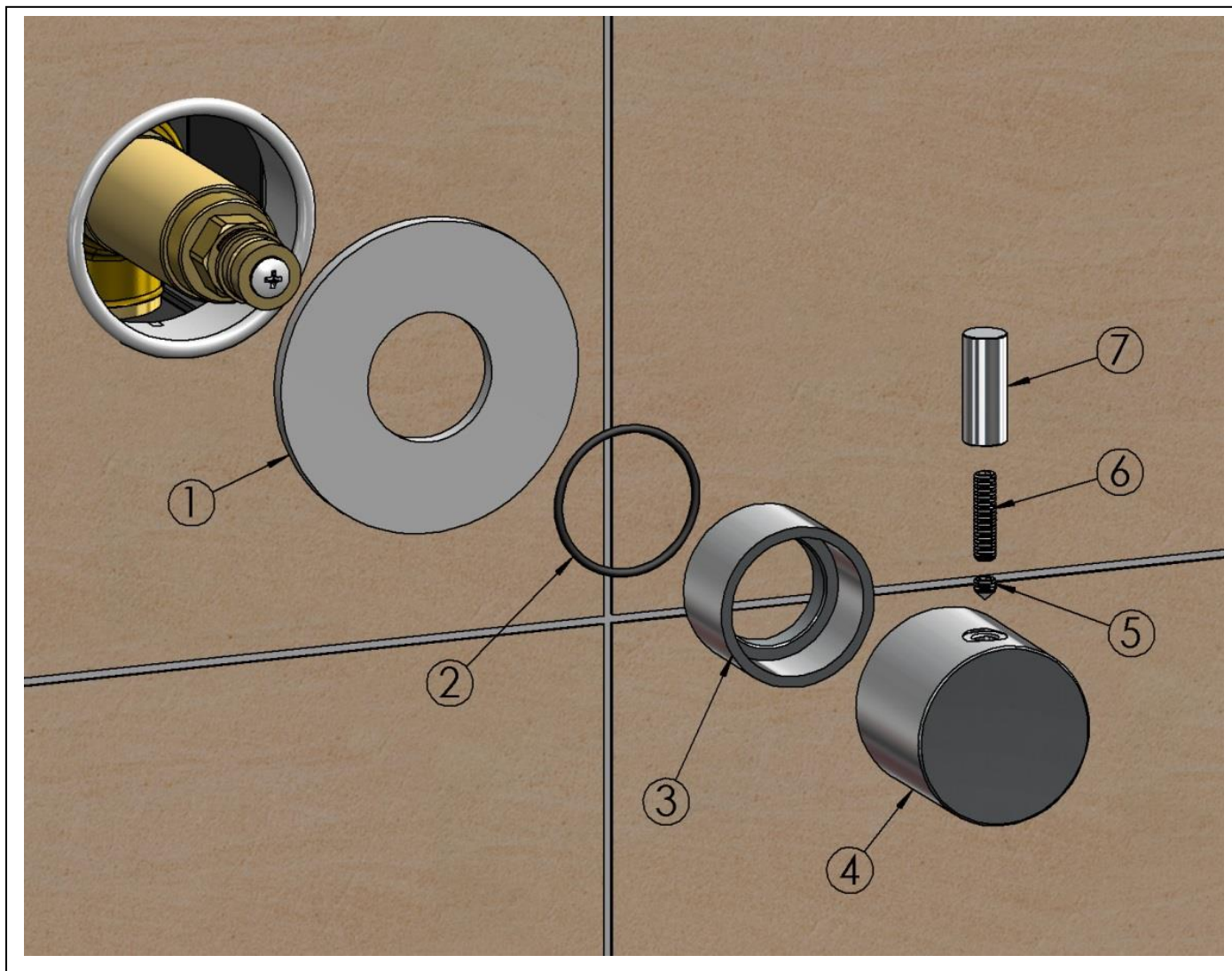
Push the cover plate (1) to the wall.

Screw the adapter (3), with its O-ring (2), until the plate (1) is against the wall.

Fit the handle (4).

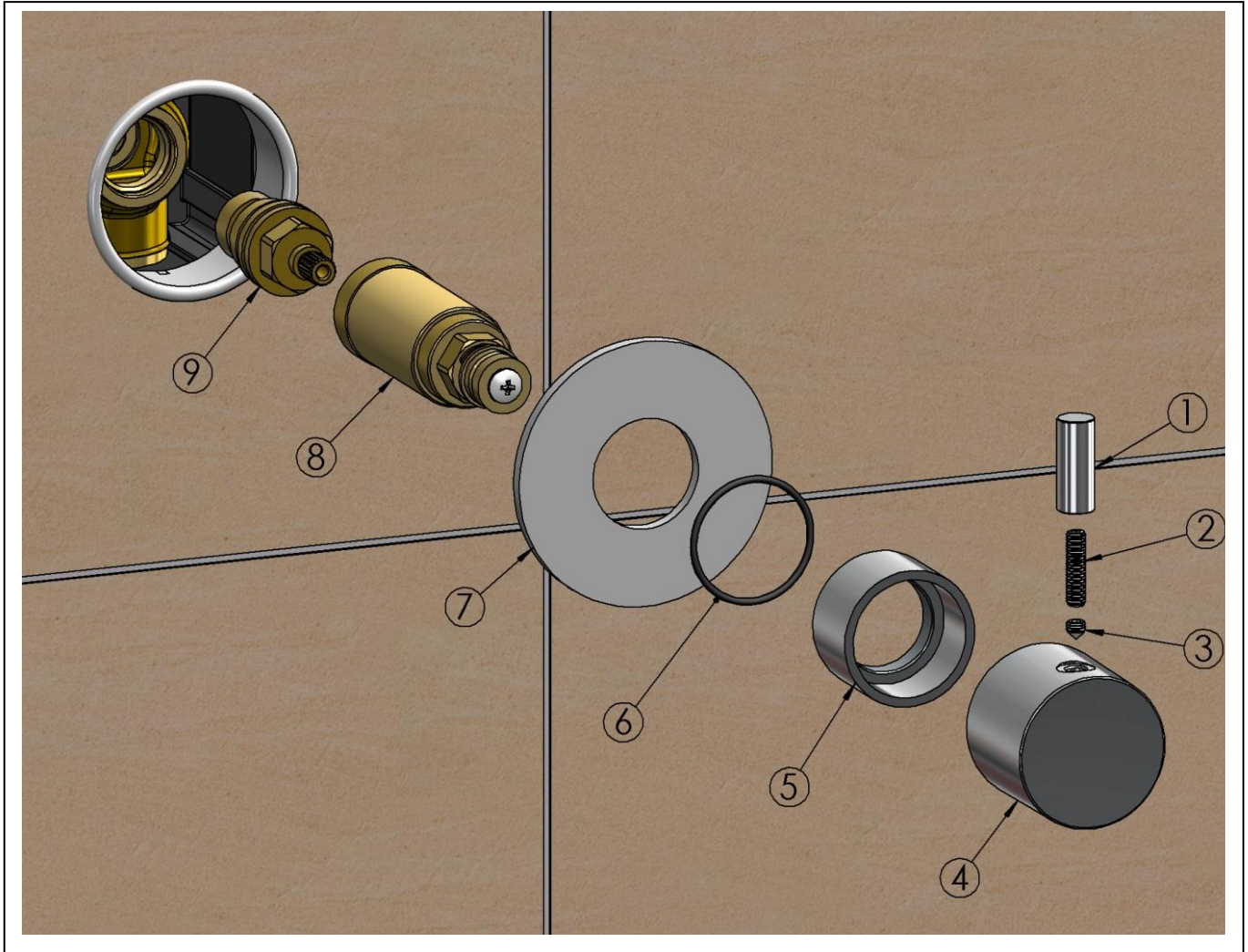
Screw grub screw (5) with a 2,5 mm Allen key.

Screw the lever (7) with the grub screw (6)



## MAINTENANCE-REPLACEMENT OF THE SHUT OFF

- 1) Close the water inlets.
- 2) Remove the lever (1) and the grub screw (2).
- 3) Remove the grub screw (3) with 2,5 mm Allen key.
- 4) Unscrew the chromed adapter (4), being careful not to lose the O-ring (6).
- 5) Remove the cover plate (7).
- 6) Unscrew the threaded rod (8) with a 17 mm wrench.
- 7) Unscrew the headwork (9) with a 17 mm wrench.



## **IMPORTANT-CLEANING OF THE MIXER**

After use the mixer should be maintained by wiping with a soft, damp, clean cloth. NO abrasive powders, detergents or polishes, cleaners containing alcohol, acid or corrosive chemicals should be used.

**In case of prolonged disuse of the mixer in winter time, it is recommended to close the system and empty the mixer to avoid damages caused by frost.**

## **NOTES**

- If these simple instructions are followed this mixer will give many years of satisfactory use.
- The company has policy of continuous improvement and reserve the right to change specification without notice.

## **GUARANTEE**

The mixer is guaranteed for a period of 5 years against any defect of material and workmanship from date of the purchase, subject to correct installation, maintenance and use in accordance with this instruction leaflet.

Please retain proof of purchase. During the guarantee period parts will be replaced or repaired at our option.

